

ultraframe

Lean-to Veranda



Overview

Version 1.0
Oct 10

Introducing the exciting contemporary home extension from **ultraframe...**

Veranda

Conservatories have always been an excellent way for consumers to blur the margin between home and garden, but Ultraframe is taking the idea to a new level with its Veranda conservatory. The glazing bars in the roof oversail and carry the glass with it, to form a 'cocoon' where the consumer can sit in the garden and be protected from the worst of the elements.

Moreover, on a warm day - by using large in line sliders or bi-fold doors your customer then has a much bigger space to enjoy, perfect for family barbeques!!

The Veranda conservatory features either the standard Classic or the latest Classic Plus roof, which comes complete with built-in tracks for fabric panelled shading devices called Shades. Inside the conservatory they feature a soft fabric to theme through with the consumers choice of home furnishings whilst outside under the oversailing eaves/glazing they are manufactured from a hard wearing and weatherproof fabric, similar to that used in awnings.



For further information please contact one of our BBA vetted Ultra Installers or by visiting our website at www.ultraframe-conservatories.co.uk

styles & details



Veranda can be executed in a number of different ways;

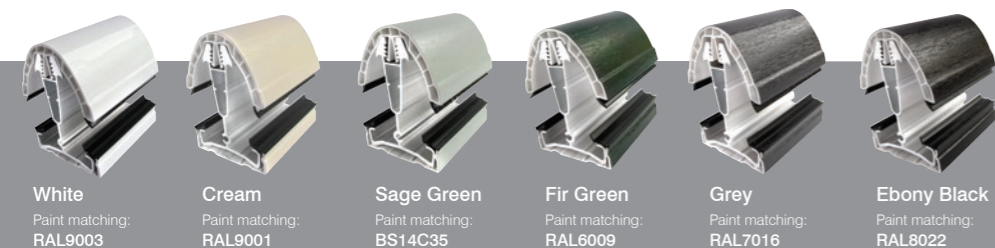
- between two walls of the same length
- between two walls of varying lengths
- on top of glazed side frames

The illustrations alongside indicate just what exactly can be achieved.

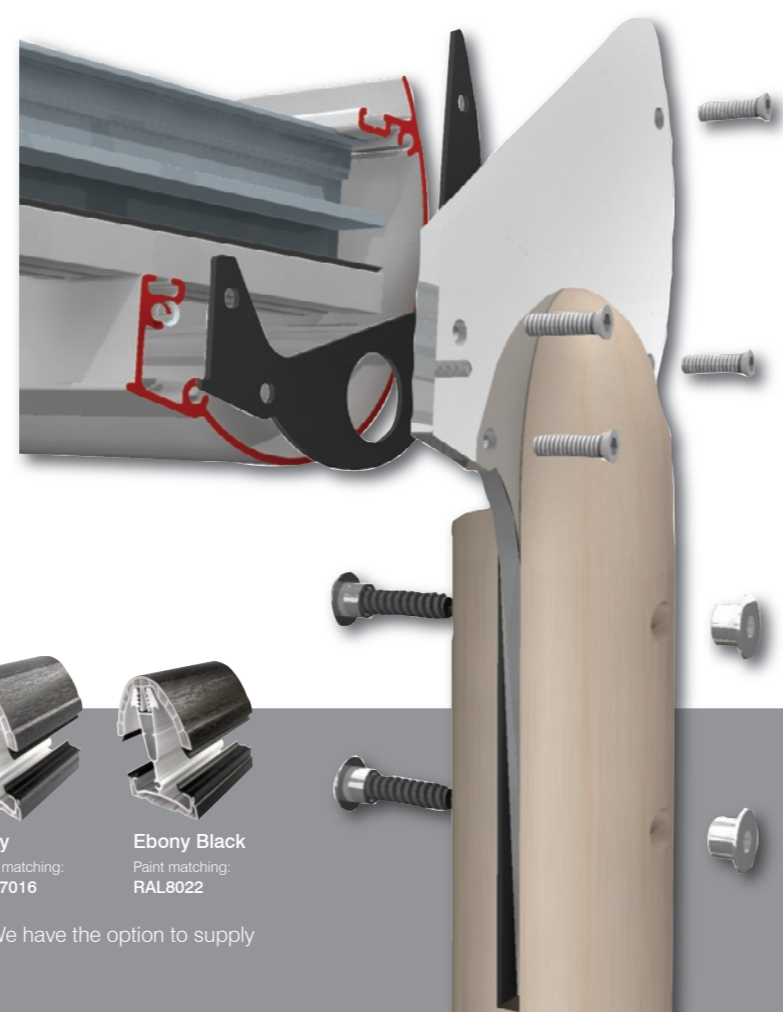
There is an interesting array of colours which can be selected for external or internal use.

On the opposite page the system elements are carefully detailed so you can appreciate the quality of the engineering and design details.

Typical colour options



Additionally, PVC claddings and cappings can be supplied in other colours. We have the option to supply a fully aluminium suite in a wide range of RAL colours.



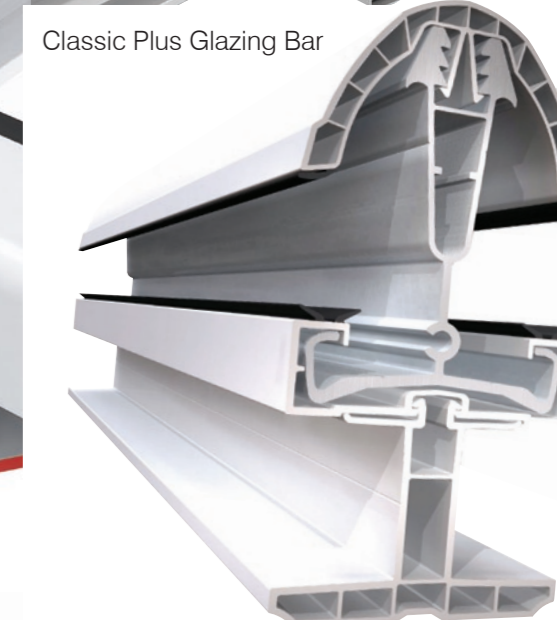
system elements



Veranda Beam Assembly



Half Ridge Assembly

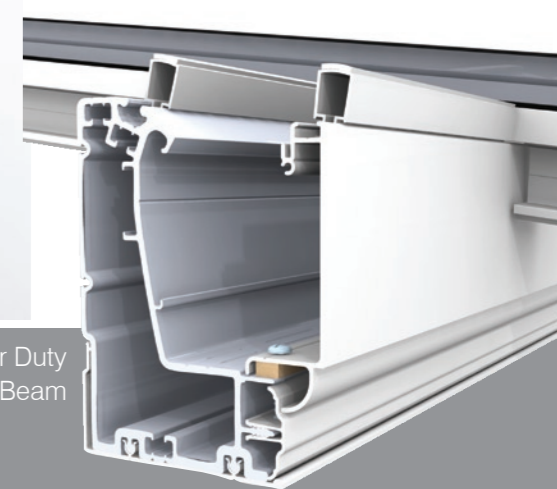


Classic Plus Glazing Bar

At the core of the Veranda is either the Classic or Classic Plus roof (Classic Plus glazing bar illustrated). At the intersection between internal and external space is the Super Duty Eaves Beam*, clad internally with the PFTB planked fascia and externally with a powder coated aluminium fascia.

The main Veranda beam is constructed from powder coated aluminium and acts as an integral gutter and support beam. Oak posts are part of the structural support package. The Veranda beam comes complete with gasketed stopends and splice plates to connect to the oak post.

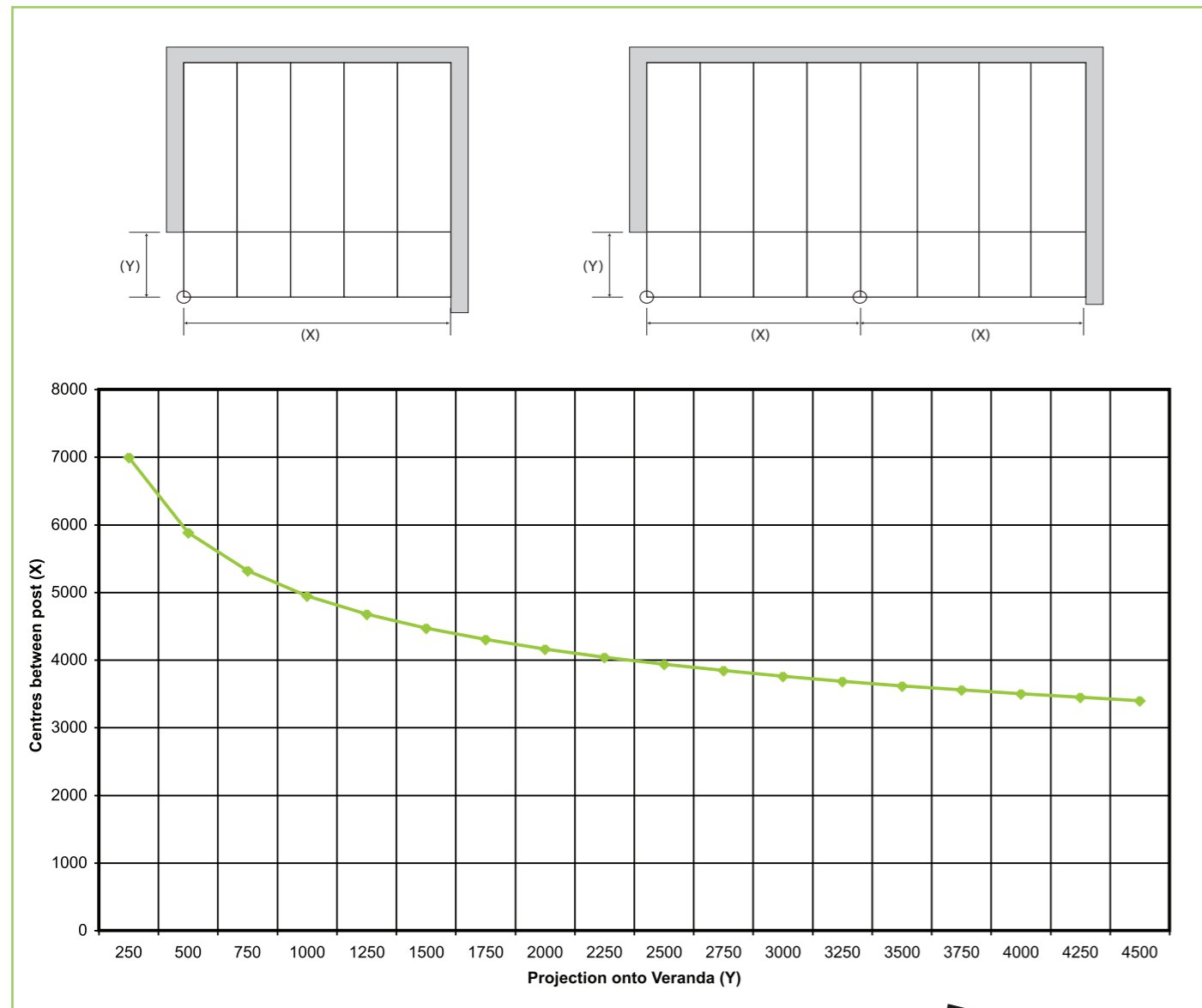
* On certain veranda designs and on very wide openings, a 'goal post' support arrangement will be necessary.



Super Duty Eaves Beam

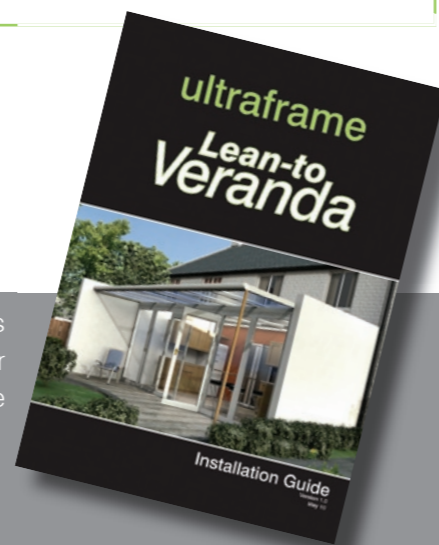
specification

Veranda Beam Span - with 0.6kn/m2 snow loading 4/16/4 glass



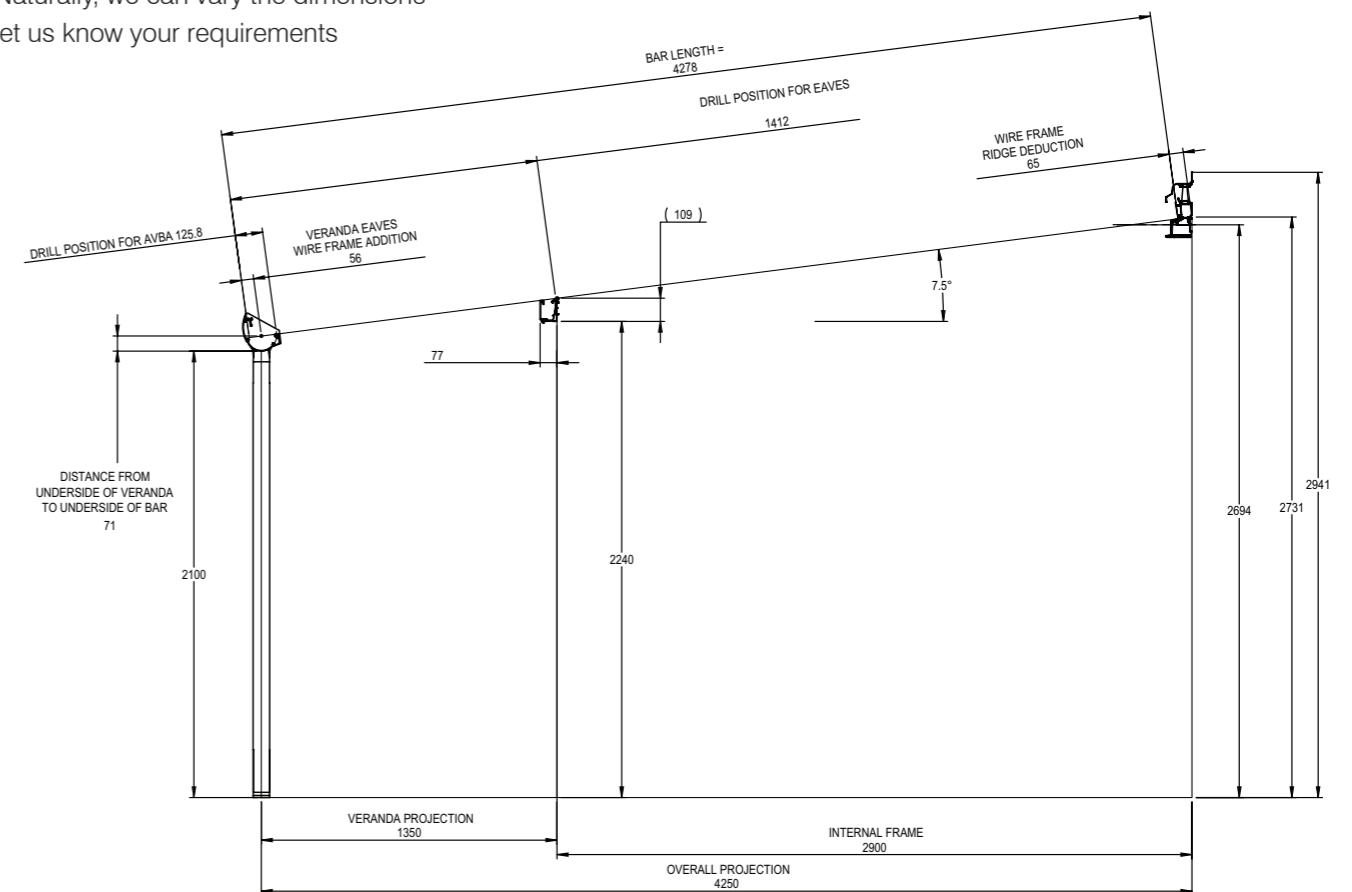
For loading condition other than 0.6kn/m2 (with 4-16-4 glass units) please let our specification team know. U-Design software simply needs your customers postcode to calculate the loads and the resulting roof specification.

There is a Veranda installation guide which always needs to be read in conjunction with the Classic or Classic Plus installation guide

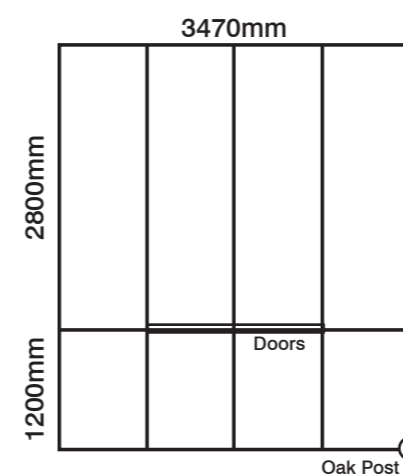


Typical Veranda Set Out

Naturally, we can vary the dimensions - let us know your requirements



Typical Pricing example



Veranda estimate includes -

- Lean-to style veranda roof
- 3470mm wide x 4000mm overall projection (1200mm overhang)
- Super Duty Eaves Beam (over the door opening)
- Oak post
- 24mm sealed units
- Aluminium downpipe
- Bi-folding doors
- Foundations and masonry side walls

Typical Price - £20,000
including VAT

This is a guide price - circumstances including the time of year and where you live in the country will influence this guide price.

We also offer...



Orangeries



Traditional Conservatories

ultraframe

Ultraframe is a trading name of
Ultraframe (UK) Ltd.

For further information, please contact one of our nationwide BBA vetted Ultra Installers by visiting our website.
www.ultraframe-conservatories.co.uk